

ADMIRAL



Item# F-ADMRL

The Admiral is a 450 pound capacity, UL Certified pool lift. It is field reversible and comes standard with an adjustable seat arm to accommodate wheelchairs of different heights. The adjustable base plate also provides additional flexibility in pools with larger water drafts or setbacks.

The Admiral lift is ADA compliant and constructed of all stainless steel with a durable powder coat finish in your choice of colors; standard white, gray, or tan. Seats and footrests are also available with color options in standard blue, white, gray, and tan.



FEATURES:

- UL certified
- 450 lb (204 kg) weight capacity
- Setback range 14.5" - 19" (37 - 48 cm)
- Field Reversible
- Adjustable base plate
- All stainless steel construction
- Durable powder coat finish
- Flip-up armrests
- Adjustable footrest & lap belt
- Water resistant handset
- Rechargeable battery with wall mount charger
- Five year pro-rated electronics warranty
- Five year structural warranty



U.S. Patent No.
D507,769S

ACCENT COLORS

Available in a variety of accent and powder coat colors



*Blue seat standard (not a powder coat option)

OPTIONS/ACCESSORIES:

F-04CAJP	Anchor kit, standard with 4" inserts
F-08CAJP	Anchor kit, standard with 8" inserts for use with pavers
F-046QAB-AT1	Anchor kit, quick attach with 4" inserts
F-40220-AT1	Anchor kit, wood deck applications
F-120PPC	Cover, standard lockable, blue
F-120PPC-G	Cover, standard lockable, gray
F-120PPC-T	Cover, standard lockable, tan
F-019CA	Cycle attachment
F-422PLH-2	Headrest
F-LRB	Pull-out leg rest assembly (blue, tan, gray, or white)
F-044SCH	Solar charging station
F-428HT	Transport cart

PROUDLY SOLD BY:

strack Liftsysteme

Strack AG
Ebnatstrasse 125
8200 Schaffhausen

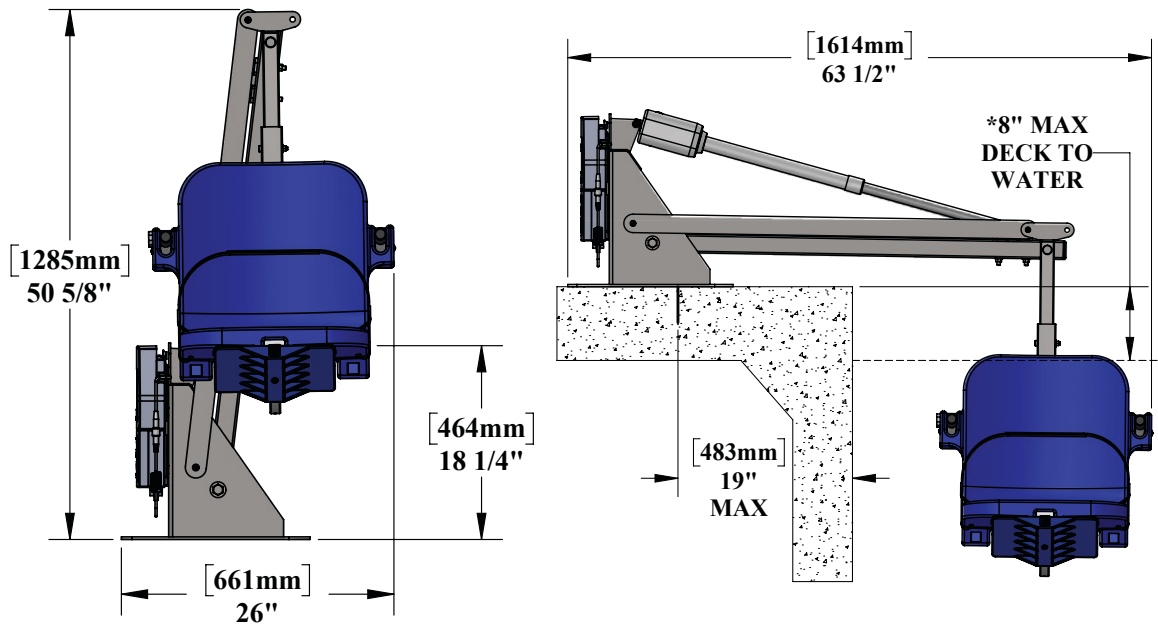
Tel. 0800 600 500
Fax 0800 600 900

www.strack.ch
info@strack.ch

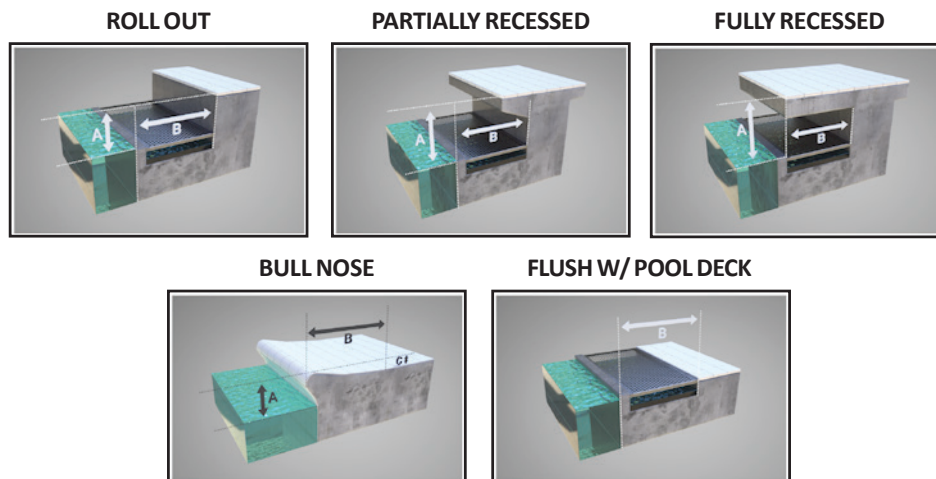
ZSR-Nr. K 7514.14
NIF-Nr. 366 824
MWST-Nr. 567 970

THE ADMIRAL POOL LIFT

PRODUCT SPECIFICATIONS



APPLICABLE POOL PROFILES



To confirm specific application go to www.aquacreek.com for our Pool Lift Selector
Become a member of our new Dealer and Architect page. Access to CAD blocks,
CSI specs and sales materials.